

3. SPECIFICATIONS

The Snorkelift TB66J is a boom-supported elevating work-platform built to conform to the following standards:

OSHA Paragraph 1910.67 Title 29, C.F.R. Vehicle-Mounted Elevating and Rotating Work Platforms - Labor.

OSHA Paragraph 1926.556 Title 29, C.F.R Aerial Lifts - Construction.

ANSI Standard A92.5-1992 Boom-Supported Elevating Work Platforms.

CSA Standard CAN3-B354.4-M82, Boom-type Elevating Work Platforms.

■ GENERAL SPECIFICATIONS

Working height (nominal) 72 ft - 0 in (21.9 m)
 Platform height (maximum) 66 ft - 0 in (20.1 m)
 Platform reach (maximum) 56 ft - 0 in (17.1 m)
 Length
 (booms down and retracted)... 33 ft - 0 in (10 m)
 Width..... 7 ft - 11.5 in (2.4 m)
 Height
 (booms down and retracted) 8 ft - 9 in (2.7 m)
 Wheelbase 10 ft - 0 in (3.0 m)
 Ground clearance..... 13 in (33 cm)
 Weight (approximate).....26,000 lbs (11,800 kg)
 Boom elevation+72°/-1° to horizontal
 Gradeability.....25%
 Travel speeds:
 booms down and retracted .. 3.0 mph (4.8 km/hr)
 booms up and/or extended..... 1 mph (1.6 km/hr)
 Turning diameter (outside) 42 ft (12.8 m)
 Tires (foam filled):
 hi-way tread ... 15 x 19.5 in (38 X 50 cm), 14 ply
 bar-lug tread.... 15 x 19.5 in (38 X 50 cm), 12 ply

Electrical system... 12 V dc (neg. chassis ground)
 Environmental operating ranges:
 ambient air temperature 0°F to +110°F
(-18°C to +43°C)
 wind speed (maximum gust
 or continuous) 25 mph (40 km/hr)
 Ground bearing strength
 (minimum)..... 78 psi (11.3 kPa)
 Wheel loading, single, max. .. 13,000 lbs (5,900 kg)
 Fuel tank capacity:
 standard gasoline
 or diesel 40 gal USA (151 liters)
 optional LPG 43.5 lbs USA (20 kg)
 optional gasoline or diesel
 (Used when LPG cylinder is mounted
 inside the turntable, in front of the
 gasoline or diesel tank.) ... 20 gal USA (76 liters)
 Hydraulic oil tank capacity .. 26.1 gal USA (99 liters)
 Maximum hydraulic oil temperature
 (at tank) 200°F (93°C)
 Hydraulic oil system
 capacity 35 gal USA (132 liters)
 Hydraulic system
 maximum pressure 2,500 psi (17,250 kPa)
 Hydraulic oil recommended:
 above 10°F (-13°C) Mobil DTE 13M (ISO VG32)
 below 10°F (-13°C) Mobil DTE 11M (ISO VG15)
 Boom movement times
 (complete range of movement):
 Jib Boom
 UP:..... 40 - 45 seconds
 DOWN: 16 - 20 seconds
 Turntable Swing
 CW or CCW (360°): 115 - 125 seconds
 Platform Rotation
 CW or CCW (180°): 16 - 20 seconds
 Main Boom Elevation
 UP:..... 45 - 50 seconds
 DOWN: 45 - 50 seconds
 Boom Extension
 OUT: 65 - 75 seconds
 IN: 35 - 45 seconds

■ PLATFORM SPECIFICATIONS

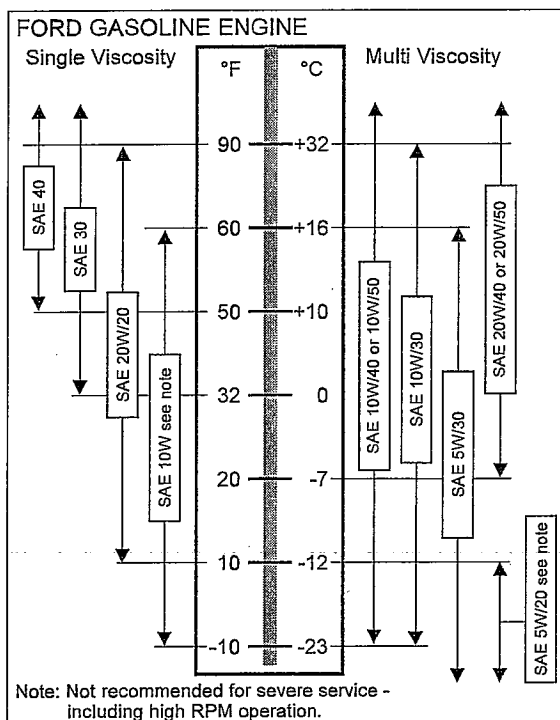
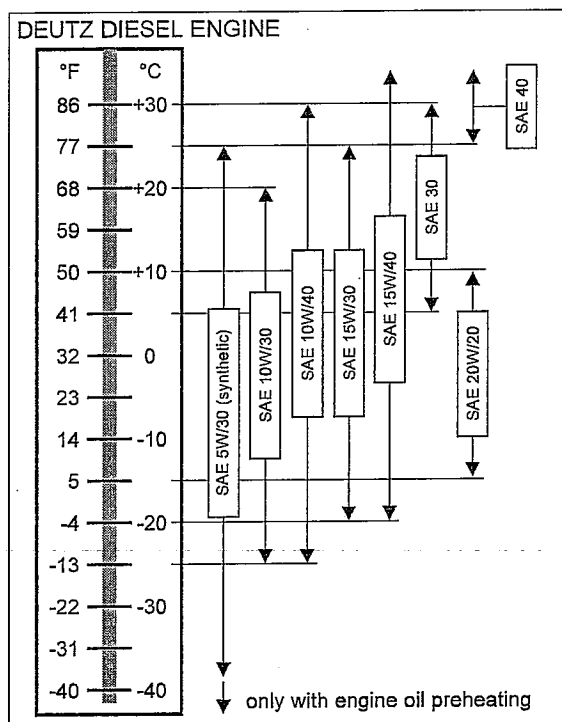
PLATFORM	SIZE inches (cm)	Unrestricted rated work load (total weight of personnel, tools, and materials that the platform is designed to carry above its floor -- same as UNRESTRICTED PLATFORM CAPACITY)
standard steel	30 x 60 (76 x 152)	Rated work load: 500 lbs (227 kg) Rated number of occupants: 2 people
optional aluminum	30 x 60 (76 x 152)	Rated work load: 500 lbs (227 kg) Rated number of occupants: 2 people
optional aluminum	30 x 92 (76 x 233)	Rated work load: 500 lbs (227 kg) Rated number of occupants: 2 people

3. SPECIFICATIONS

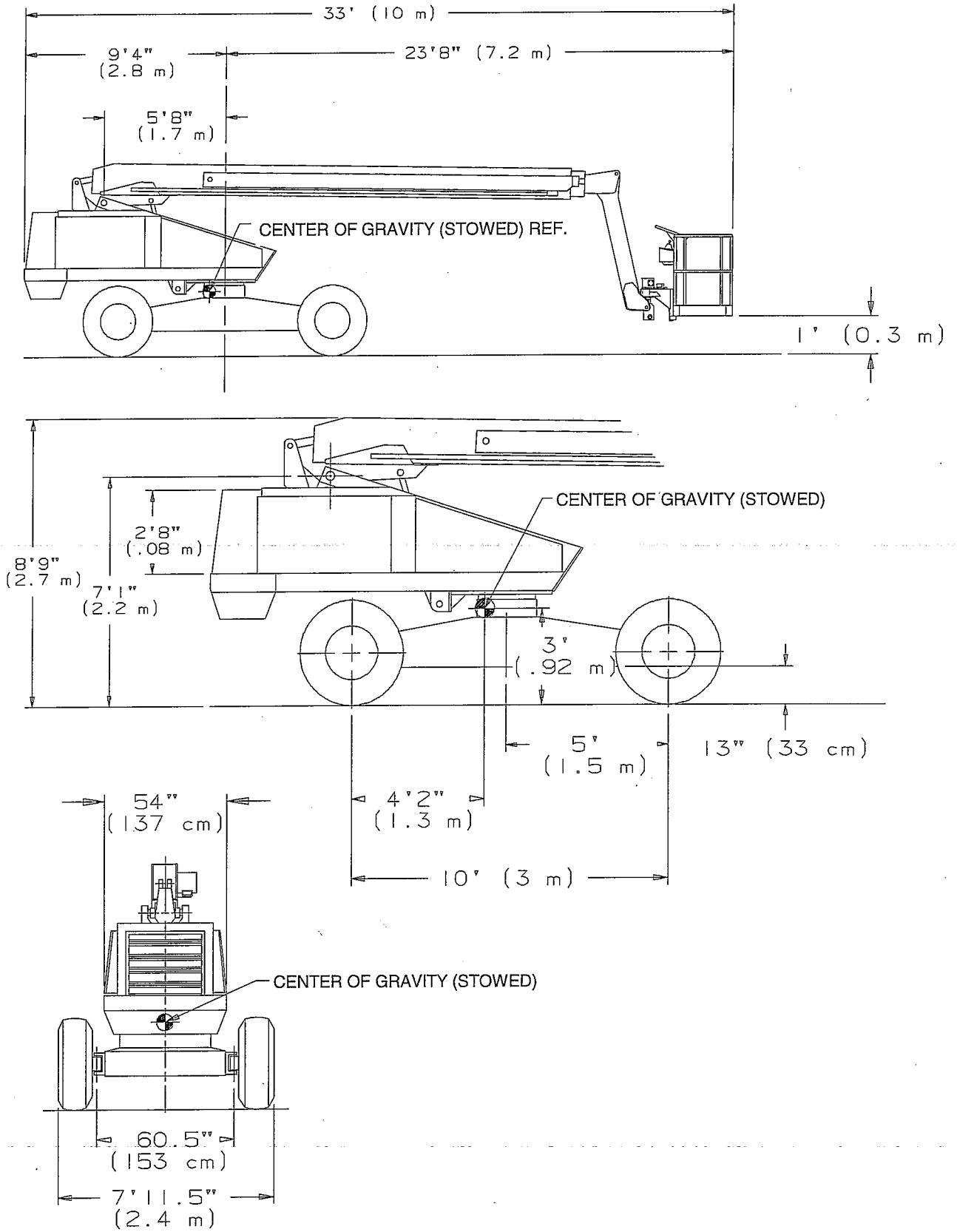
ENGINE DATA

ENGINE MAKE	DEUTZ	FORD (gasoline)	FORD (LPG)
MODEL	F4L-1011F	LRG-423	
COOLANT	air	50% water + 50% ethylene glycol	
FUEL	diesel	gasoline	LPG (liquefied petroleum gas)
FUEL GRADE	DIN 51 601. BS 2869: A1 and A2. ASTM D 975-81: 1-D and 2-D. W-F-800C: DF-A, DF-1, and DF-2.	leaded or unleaded 83 octane (motor method).	HD5 Gas Processors Association Standard 2140. Category: special duty propane.
OPERATING TEMPERATURE	172°F - 203°F (78°C - 95°C)	160°F - 190°F (71°C - 88°C)	
OIL SUMP CAPACITY	10.5 qt USA (10 liters)	4 qt USA (3.8 liters)	
OIL FILTER CAPACITY	0.5 qt USA (0.5 liters)	1 qt USA (0.95 liters)	
OIL GRADE	API: CC/SE CC/SF CD/SE CD/SF CE/SF CE/SG	API: SH or SG	
OIL WEIGHT	see chart below	see chart below	
RUNNING TIME (one tank fuel)	Any tank of fuel (regardless of whether it is LPG, gasoline, or diesel) will easily last an entire eight hour shift, under normal working conditions.		

ENGINE OIL CHARTS



OVERALL DIMENSIONS



3. SPECIFICATIONS

■ WORKING ENVELOPE

