



A 60 J

Platform

Working Height	20.1 m	(66.5 ft)
Platform Height	18.3 m	(60.0 ft)
Horizontal Reach	12.19 m	(40.0 ft)
Riser Height	7.62 m	(25.0 ft)
Capacity	227 kg	(500 lbs)

Dimensions

Platform Size	0.91x1.83 m	(36x72 in)
Overall Height	2.41 m	(7.9 ft)
Overall Length	9.30 m	(30.5 ft)
Overall Width	2.42 m	(8 ft)
Wheelbase	2.44 m	(8 ft)
Outside Turning Radius	4.51 m	(14.8 ft)
Ground Clearance	0.30 m	(1 ft)

Performance

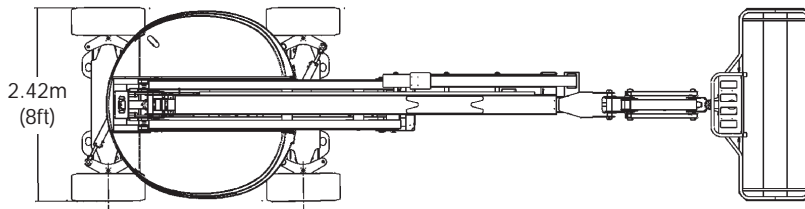
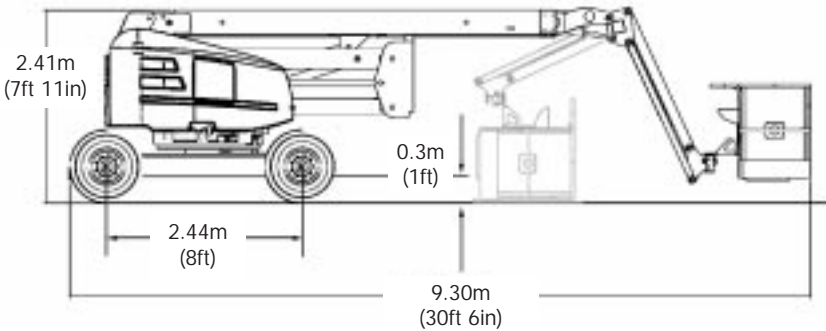
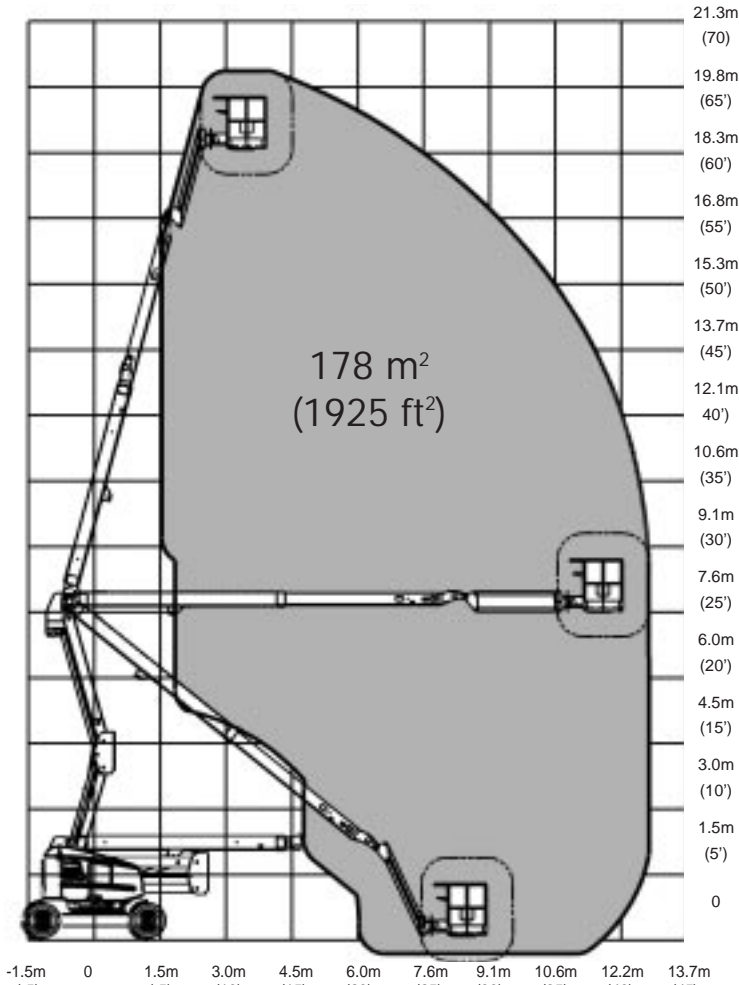
Maximum Drive Speed	6.44 km/h	(4.0 mph)
Gradeability	50%	
Weight	9,710 kg	(21,400 lbs)

Power Source

Diesel

Engine

Cummins 4BT 3.3L



- FEATURES**
- Proportional actuators with adjustable RTO for drive, lift, telescope and swing
 - Non proportional actuators for steer, platform level and platform rotate
 - 14-17.5 NHS 14 ply foam filled tyres
 - Powerful 80hp Cummins 4BT3.3L 4 cylinder diesel engine
 - Fully enclosed upper control box cover
 - Lockable electrical system disconnect
 - All wheel drive
 - All wheel steer
 - 220v AC wiring to platform and chassis
 - 3° tilt alarm with audible/visual warning
 - All function motion alarm
 - Electrically operated emergency lowering
- OPTIONS**
- 110v connections to platform
 - Air supply to platform
 - Hostile environmental package
 - 8m (26ft) drive cut out

Distributed by:

PRODUCT PROTECTION PLAN

- One-year parts warranty
- One-year labour warranty
- Seven-year structural warranty



See warranty information for any limitations or restrictions that may apply
www.grovetworldwide.com

Grove and Grove logo are registered trademarks of Grove Worldwide in the U.S. and/or other countries. Copyright © 1999 Grove Worldwide. All Rights Reserved

International Sales - Grove Europe - 1 Emperor Way, Doxford International Business Park, Sunderland, SR3 3XR.

Telephone: 0191-515 7306 Fax: 0191-565 3736