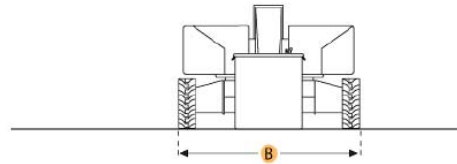
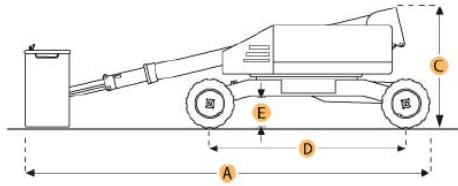


GROVE T86J BOOM LIFT

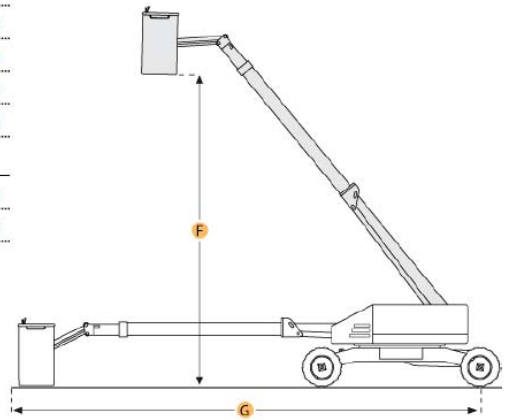


Dimensions

A. OVERALL LENGTH	40 ft in	12200 mm
B. OVERALL WIDTH	8.5 ft in	2590 mm
C. OVERALL HEIGHT - MAST LOWERED	9.5 ft in	2900 mm
D. WHEELBASE	9.8 ft in	3000 mm
E. GROUND CLEARANCE	12 in	304.8 mm

Platform

F. MAX PLATFORM HEIGHT	80.7 ft in	24600 mm
G. MAX HORIZONTAL REACH	76 ft in	23160 mm



Specification

Engine

MAKE	Cummins	
MODEL	Diesel	
GROSS POWER	85 hp	63.4 kw
FUEL TYPE	diesel	

Operational

OPERATING WEIGHT	33999.7 lb	15422 kg
FUEL CAPACITY	35 gal	132.4 L
HYDRAULIC SYSTEM FLUID CAPACITY	45 gal	170.3 L
MAX SPEED	4 mph	6.4 km/h
TIRE SIZE	385/65D22.5	
TIRE FILL/TYPE	Pneumatic	

Platform

MAX WORKING HEIGHT	91.9 ft in	28000 mm
MAX PLATFORM HEIGHT	80.7 ft in	24600 mm
MAX HORIZONTAL REACH	76 ft in	23160 mm
MAX PLATFORM WEIGHT CAPACITY	500.4 lb	227 kg
PLATFORM LENGTH	93.7 in	2380 mm
PLATFORM WIDTH	35.8 in	910 mm

Dimensions

OVERALL LENGTH	40 ft in	12200 mm
OVERALL WIDTH	8.5 ft in	2590 mm
OVERALL HEIGHT - MAST LOWERED	9.5 ft in	2900 mm
WHEELBASE	9.8 ft in	3000 mm
TURNING RADIUS	15.1 ft in	4590 mm
GROUND CLEARANCE	12 in	304.8 mm