



MODELS | SJIII 3220 SJIII 3226



CONVENTIONAL SERIES DC Electric SCISSOR LIFTS

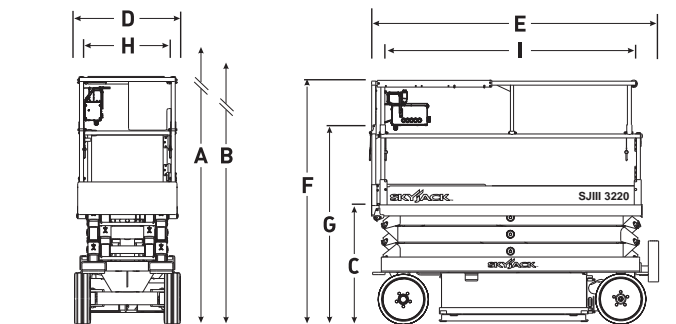
The Narrow Conventional Series DC Electric Scissor Lifts offer high capacity and large platform areas, making them suitable for any on-slab application. Featuring variable speed rear wheel hydraulic drive, the SJIII 3220 and SJIII 3226 offer working heights up to 32', and 25% gradeability.

The lightest machines in their class, these models offer a standard 3' roll out extension deck, and both models can be driven at full height. The SJIII 3220, boasting an industry leading 900 lb capacity, can also access through standard doorways.

Consistent with Skyjack's robust and reliable design features, the Narrow Conventional Series DC Electric Scissor Lifts utilize Skyjack's standard color coded and numbered wiring system with analog based controls.

CONVENTIONAL SERIES DC Electric Scissor Lifts

Specifications	SJIII 3220	SJIII 3226
A Work Height	26' (7.9 m)	32' (9.8 m)
B Raised Platform Height	20' (6.1 m)	26' (7.9 m)
C Lowered Platform Height	38" (1.0 m)	45" (1.1 m)
D Overall Width	32" (0.8 m)	32" (0.8 m)
E Overall Length	91.5" (2.3 m)	91.5" (2.3 m)
F Stowed Height (Rails Up)	77.5" (2.0 m)	84.7" (2.2 m)
G Stowed Height (Rails Down)	OPT 63.5" (1.6 m)	70.6" (1.8 m)
H Platform Width (Inside Dimension)	28" (0.7 m)	28" (0.7 m)
I Platform Length (Inside Dimension)	84" (2.1 m)	84" (2.1 m)
Extension Deck (Roll Out)	3' (0.9 m)	3' (0.9 m)
Ground Clearance (Stowed)	3.5" (8.9 cm)	3.5" (8.9 cm)
Ground Clearance (raised)	0.75" (1.9 cm)	0.75" (1.9 cm)
Wheelbase	69" (1.8 m)	69" (1.8 m)
Weight	3,510 lbs (1,592 kg)	4,135 lbs (1,876 kg)
Gradeability	25%	25%
Turning Radius (Inside)	50" (1.3 m)	50" (1.3 m)
Turning Radius (Outside)	108" (2.7 m)	108" (2.7 m)
Lift Time (With Rated Load)	33 sec	56 sec
Drive Speed (Stowed)	2 mph (3.2 km/h)	2 mph (3.2 km/h)
Drive Speed (Raised)	0.7 mph (1.1 km/h)	0.7 mph (1.1 km/h)
Maximum Drive Height	Full Height	Full Height
Capacity (Overall)	900 lbs (408 kg)	500 lbs (227 kg)
Maximum # of Persons	2	2



STANDARD FEATURES

- Drivable at full height
- Variable speed, rear two wheel hydraulic drive
- Dual holding brakes
- Proportional controls for drive & lift functions
- 3' (0.9 m) roll out extension deck
- 24V DC power source
- Low voltage battery protection
- Analog control system
- Color coded and numbered wiring system
- 25% gradeability
- Solid rubber, non-marking tires
- Pothole protection system
- 110V AC outlet on platform with GFI
- Tilt alarm with drive & lift cut-out
- All motion audible alarm
- Operator horn
- Hinged railing system (3226 only)
- Lanyard attachment points
- Forklift pockets and tie down/lift lugs

OPTIONS†

- Flashing light
- 6' powered extension deck (3220 only)
- Shop airline to platform
- 800 watt AC inverter
- 250 Ah batteries
- Hinged railing system (3220 only)
- Half height spring hinged gate
- Full height spring hinged gate*
- EE rating package
- Air operation package

* Not available with hinged railing system on 32xx's

† Capacities, and machine weights may differ when options are added

Skyjack Head Office

55 Campbell Rd. Guelph, ON Canada N1H 1B9
 Sales Inquiries: 1-877-755-4387 (1-877-SJLIFTS)
 Main Switchboard: 1-800-265-2738
 Phone: 519-837-0888
 Fax: 519-837-8104
 Email: skyjack@skyjack.com

www.skyjack.com

This brochure is for illustrative purpose only and based on the latest information at the time of printing. Skyjack Inc. reserves the right to make changes at any time, without notice, to specifications, standard and optional equipment. Consult the Operating Maintenance and Parts Manuals for proper procedures. Work platforms have been tested to comply with ANSI and CSA standards as interpreted by Skyjack, Inc.

