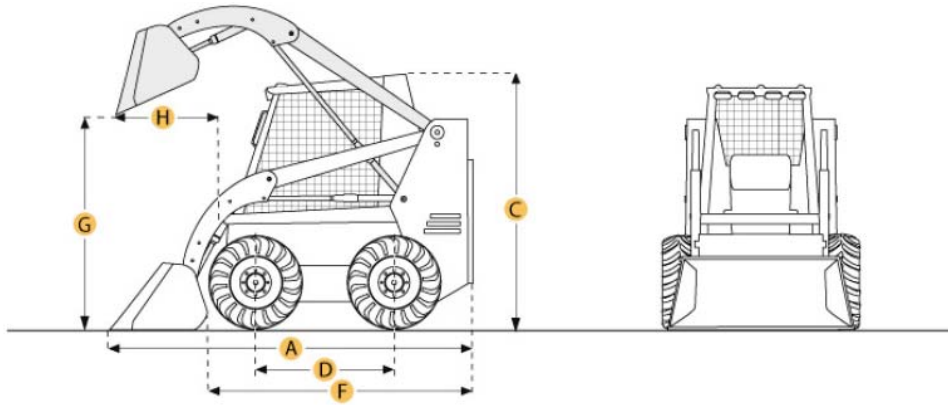


# Thomas 225 Specification



## Selected Dimensions

### Dimensions

A. LENGTH WITH BUCKET	12.2 ft in	3709.4 mm
B. WIDTH OVER TIRES	5.9 ft in	1798.3 mm
C. HEIGHT TO TOP OF CAB	7 ft in	2133.6 mm
D. WHEELBASE	4.1 ft in	1237.5 mm
E. GROUND CLEARANCE	9 in	228.6 mm
F. LENGTH W/O BUCKET	9.8 ft in	2984 mm
G. CLEARANCE AT MAX LIFT AND DUMP	8.1 ft in	2456.7 mm
H. REACH AT MAX LIFT AND DUMP	21.5 in	546.1 mm

## Specification

### Engine

MAKE	Kubota	
MODEL	V3300T Turbo	
GROSS POWER	87.4 hp	65.2 kw
POWER MEASURED @	2750 rpm	
DISPLACEMENT	202.5 cu in	3.3 L
NUMBER OF CYLINDERS	4	
ASPIRATION	Turbocharged	

### Operational

OPERATIONAL WEIGHT	8000 lb	3628.7 kg
FUEL CAPACITY	28.7 gal	108.6 L
HYDRAULIC SYSTEM FLUID CAPACITY	24 gal	90.8 L
OPERATING VOLTAGE	12 V	
ALTERNATOR SUPPLIED AMPERAGE	60 amps	

### Loader

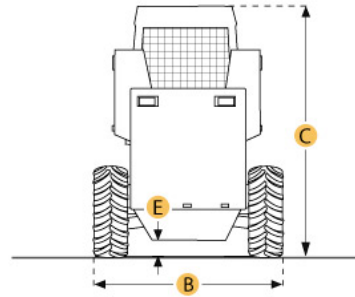
OPERATING LOAD RATING	2500 lb	1134 kg
TIPPING LOAD	5000 lb	2268 kg
BREAKOUT FORCE	7000 lb	3175.1 kg
BUCKET CAPACITY	0.6 yd3	0.46 m3

### Hydraulic

PUMP TYPE	Hydrostatic	
PUMP FLOW CAPACITY	21 gal/min	79.5 L/min
RELIEF VALVE PRESSURE	3000 psi	20684.3 kPa

### Dimensions

LENGTH WITH BUCKET	12.2 ft in	3709.4 mm
LENGTH W/O BUCKET	9.8 ft in	2984 mm
WIDTH OVER TIRES	5.9 ft in	1798.3 mm
HEIGHT TO TOP OF CAB	7 ft in	2133.6 mm
CLEARANCE AT MAX LIFT AND DUMP	8.1 ft in	2456.7 mm
WHEELBASE	4.1 ft in	1237.5 mm
GROUND CLEARANCE	9 in	228.6 mm
REACH AT MAX LIFT AND DUMP	21.5 in	546.1 mm
TURNING RADIUS FROM CENTER - MACHINE REAR	69.8 in	1772.9 mm
TURNING RADIUS FROM CENTER - INC BUCKET	84 in	2133.6 mm



Viewing Photo 1 of 4

