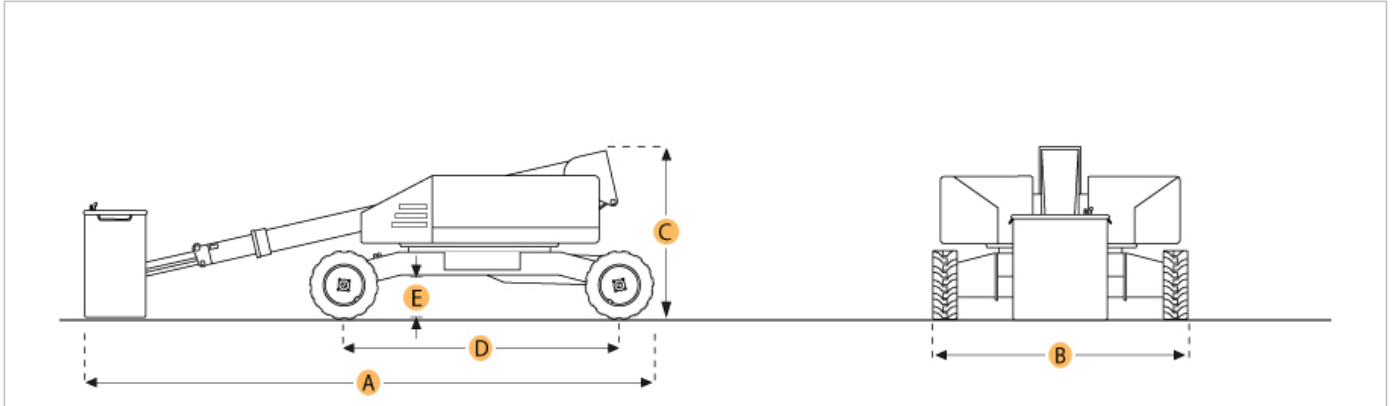




Grove T60 4WD Boom Lift



Selected Dimensions

Dimensions

A. OVERALL LENGTH	28.2 ft in	8600 mm
B. OVERALL WIDTH	8.5 ft in	2590 mm
C. OVERALL HEIGHT - MAST LOWERED	7.9 ft in	2400 mm
D. WHEELBASE	9 ft in	2740 mm
E. GROUND CLEARANCE	12 in	304.8 mm

Platform

F. MAX PLATFORM HEIGHT	60 ft in	18300 mm
G. MAX HORIZONTAL REACH	54.8 ft in	16700 mm

Specification

Engine

MAKE	Ford	
MODEL	LRG4.25	
GROSS POWER	60 hp	44.7 kw

Operational

OPERATING WEIGHT	23900.3 lb	10841 kg
FUEL CAPACITY	25.1 gal	95 L
HYDRAULIC SYSTEM FLUID CAPACITY	36 gal	136.3 L
MAX SPEED	3.7 mph	6 km/h
TIRE SIZE	15x19.5	
TIRE FILL/TYPE	Pneumatic	

Platform

MAX WORKING HEIGHT	65.6 ft in	20000 mm
MAX PLATFORM HEIGHT	60 ft in	18300 mm
MAX HORIZONTAL REACH	54.8 ft in	16700 mm
MAX PLATFORM WEIGHT CAPACITY	500.4 lb	227 kg
PLATFORM LENGTH	93.7 in	2380 mm
PLATFORM WIDTH	35.8 in	910 mm

Dimensions

OVERALL LENGTH	28.2 ft in	8600 mm
OVERALL WIDTH	8.5 ft in	2590 mm
OVERALL HEIGHT - MAST LOWERED	7.9 ft in	2400 mm
WHEELBASE	9 ft in	2740 mm
GROUND CLEARANCE	12 in	304.8 mm

